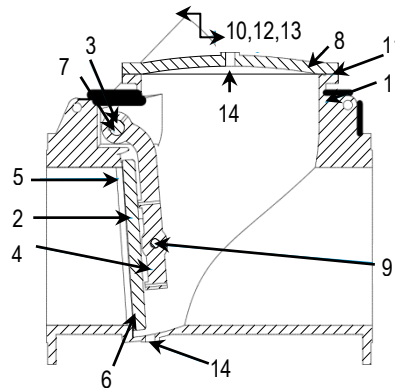
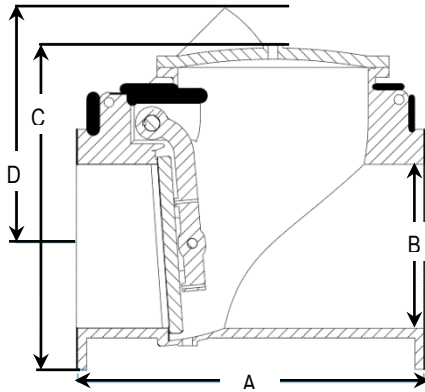


## METAL SEATED NON-RETURN VALVE

To BS51563 and BSEN 1074 3 standards, size range 50-1800mm, ductile iron with gunmetal seats.



Item #	Part	Material	Standard	Item #	Part	Material	Standard
1	Body	Ductile iron	BSEN 1563 500-7	8	Cover	Ductile iron	BSEN 1563 500-7
2	Disc	Ductile iron	BSEN 1563 500-7	9	Hinge pin	St. steel	BS 970-A2
3	Shaft	St. steel	NX21CrNi17 (431)	10	Lever & weight	Steel / D.iron	BS970 / BSEN 1563
4	Arm	Ductile iron	BSEN 1563 500-7	11	O rings	EPDM	BS EN 2429
5	Body seat	Gunmetal	LG2	12	Shaft cover	Ductile iron	BSEN 1563 500-7
6	Disc seat	Gunmetal	LG2	13	Locking pins	St. steel	BS 970-A2
7	Bearing	CU Alloy	BSEN 1982	14	Vent plugs	St. steel	BS 970-A2

Size mm	A	B	C	D	Width	Valve Weight kg	Lever & weight kg	Size mm	A	B	C	D	Width	Valve Weight kg	Lever & weight kg
50 (2")	203	50	218	246	210	15	2	450 (18")	965	450	948	729	889	571	30
65 (2.5")	216	65	241	259	220	19	2	500 (20")	1067	500	1047	790	985	738	38
80 (3")	241	80	278	289	265	24	2	600 (24")	1219	600	1211	892	1145	1060	55
100 (4")	292	100	305	329	280	48	3	700 (28")	1420	700	1303	949	1235	1448	76
125 (5")	330	125	335	370	335	59	3	800 (32")	1560	800	1455	1043	1382	1905	100
150 (6")	356	150	395	410	366	65	4	900 (36")	1730	900	1586	1124	1510	2482	130
200 (8")	495	200	470	535	395	97	6	1000 (40")	1900	100	1757	1230	1676	3082	150
250 (10")	622	250	535	650	520	155	8	1200 (42")	2080	1200	2060	1418	1971	4909	250
300 (12")	698	300	595	745	597	225	10	1400 (46")	2250	1400	2323	1581	2227	7709	400
350 (14")	787	350	790	631	736	330	18	1600 (50")	2420	1600	2644	1780	2540	12183	425
400 (16")	914	400	869	680	812	444	23	1800 (54")	2500	1800	2907	1943	2796	15702	445

### Options

Lever & weight  
Proximity switch

Guard  
Bypass

### Operating details

Pressure up to 16 bar.  
Temperature -10 to +70°C