

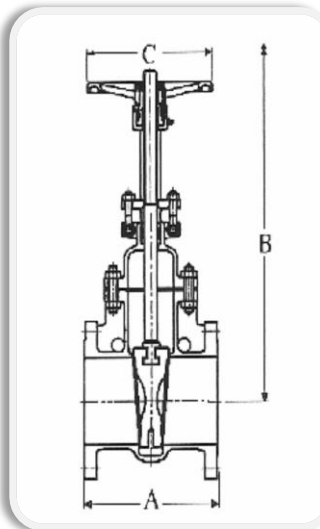
## ASME B16.34 GATE VALVE IN VARIOUS STEELS

Designed to API603 and ASME B16.34, high integrity gate valves can be made in various highly corrosion resistant materials that are durable for petrochemical environments and applications. Extensive material testing and certification can also be supplied to individual project or client requirements.



### Features

- Sizes 1/2" (15mm) to 24" (600mm).
- Light wall design to API603 & ASME B16.34. Generally to API600 except wall thickness.
- Integral seat with bubble tight shut-off to API598.
- Wetted part to NACE MR-01-75.
- CE Marked products to PED97/23/EC.
- Flexible wedge on 3" size & above.
- Flanged either Ansi 150# or Ansi 300#.
- Trim at least equal to the valve body material.
- Spiral wound graphite gasket.
- (5 ring) 3 flexible graphite & 2 anti-extrusion braided carbon fibre gland packing – other packing materials available.
- Full bore design.



Size (mm / inch)	A (mm) 150# / 300#	B (mm) Class 150 / 300	C (mm) 150# / 300#	Weight (kg) 150# / 300#
15 / 1/2"	108 / 140	192 / 193	90	3.6 / 5
20 / 3/4"	118 / 152	197 / 200	90	4 / 7.2
25 / 1"	127 / 165	221 / 223	110	5.4 / 8.3
40 / 1 1/2"	165 / 191	278 / 251	130	9.2 / 12
50 / 2"	178 / 216	369 / 405	180 / 200	14.4 / 20
80 / 3"	203 / 283	470 / 486	200 / 225	24 / 41
100 / 4"	229 / 305	582 / 610	225 / 250	40 / 61
150 / 6"	267 / 403	754 / 842	250 / 300	65 / 113
200 / 8"	292 / 419	962 / 892	300 / 350	101 / 190
250 / 10"	330 / 457	1013 / 1245	350 / 400	153 / 290
300 / 12"	356 / 502	1194 / 1450	400 / 500	220 / 430
350 / 14"	381 / 762	1365 / 1740	500 / 560	315 / 670
400 / 16"	406 / 838	1540 / 1784	560 / 560	380 / 825
450 / 18"	432 / 914	1664 / 1972	560 / 610	533 / 986
500 / 20"	457 / 991	1829 / 2200	680 / 660	690 / 1400
600 / 24"	508 / 1143	2184 / 2540	760 / 660	964 / 1958

Materials of construction available are;

Super Duplex, Duplex, Stainless Steel (304, 304L, 316, 316L, 317L, 347, Alloy 20).  
Material testing is available to NORSOK MDS, individual Company or Project requirements.