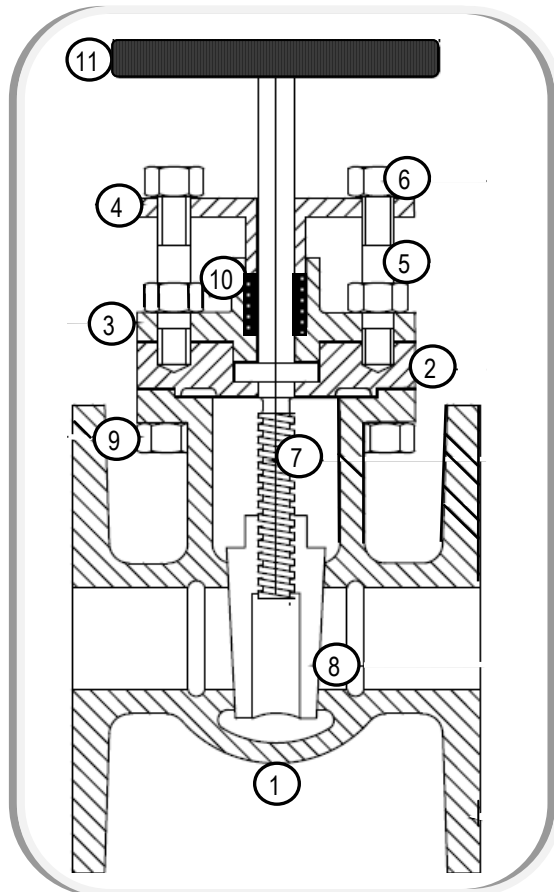




SEA WATER GATE VALVE

Avarus Valves model **AVLT** gate valve can be made in various grades of aluminium bronze and gunmetal offering corrosion resistance in sea water environments and applications. Material testing and certification can also be supplied to individual project or client requirements.



Features

- Sizes 1/2" (15mm) to 4" (100mm).
- Design to BSEN 12288:2010 - (formerly BS5154).
- Bolted bonnet, inside screw.
- Non rising stem.
- Solid wedge with integral seat.
- Flanges to Ansi 150#, Ansi 300#, metric and other international standards.
- Multi-ring PTFE stem packing.
- Stainless steel or high tensile zinc plated fasteners.
- Full bore design.
- Locking facility option.
- Open / close indicator option.

Parts

- | | | |
|-------------------|---------------|-----------------|
| 1. Body | 2. Cover | 3. Stuffing Box |
| 4. Gland | 5. Gland Stud | 6. Gland Nut |
| 7. Spindle | 8. Wedge | 9. Cover Bolts |
| 10. Packing Rings | 11. Handwheel | |

Valve size mm (inch)	DN15 (1/2")	DN20 (3/4")	DN25 (1")	DN40 (1.1/2")	DN50 (2")	DN80 (3")	DN100 (4")
Face to Face	80	90	100	120	135	185	190
Height, bore centre to top	160	160	190	205	210	382	400
Weight (kg)	3	3	4	7	9	22	33

Materials of construction available are:
Aluminium Bronze BSEN1982 CC333G (AB2) & CC331G (AB1).
Gunmetal BSEN1982 CC491K (LG2) & CC492K (LG4).