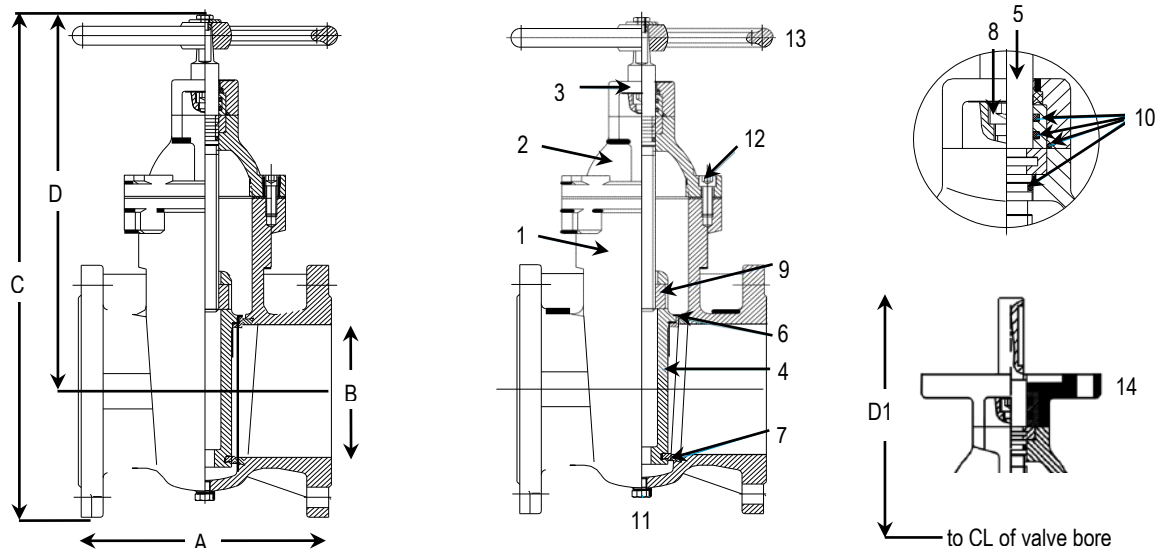


METAL SEATED GATE VALVE

To BS5163 and BSEN 1074 1&2 standards, size range 50-1600mm, ductile iron, non-rising spindle design with gunmetal seats.



Item #	Part	Material	Standard	Item #	Part	Material	Standard
1	Body	Ductile iron	BSEN 1563 500-7	8	Thrust ring	Cu Alloy	BSEN 1982
2	Bonnet	Ductile iron	BSEN 1563 500-7	9	Wedge nut	Gunmetal	LG2
3	Cover	Ductile iron	BSEN 1563 500-7	10	O rings	EPDM	BSEN 2429
4	Wedge	Ductile iron	BSEN 1563 500-7	11	Drain plug	St. steel	BS 970-A27
5	Stem	St. steel	NX21CrNi17 (431)	12	Cover bolts	St. steel	BS 970-A2
6	Body seat	Gunmetal	LG2	13	Handwheel	Ductile iron	BSEN 1563 500-7
7	Wedge seat	Gunmetal	LG2	14	ISO mount	Ductile iron	BSEN 1563 500-7

Size mm	A	B	C	D	D1	Handwheel Diameter	Weight KG
50 (2")	178	50	345	262	260	180	20
65 (2.5")	190	65	374	291	275	180	23
80 (3")	203	80	443	343	320	205	25
100 (4")	229	100	481	371	350	205	29
125 (5")	254	125	553	428	400	240	45
150 (6")	267	150	633	488	460	280	53
200 (8")	292	200	740	570	550	320	75
250 (10")	330	250	875	675	645	360	118
300 (12")	356	300	24	778	740	780	280
350 (14")	381	350	32	845	845	500	320
400 (16")	406	400	36	1020	1020	560	440
450 (18")	432	450	40	1150	1150	560	480
500 (20")	457	500	45	1220	1220	650	700
600 (24")	508	600	52	1370	1370	650	900

700 to 1600mm please consult us

**Data Sheet:
WGV-MS**



Options

- Operation by cap top, handwheel, ISO mount or chainwheel
- Spur / bevel gearbox
- Anti-clockwise close
- Bypass

Gate valve with ISO flange for actuator or gearbox mounting

Size mm	ISO flange	Stem diameter	Turns to close	Keyway size	Torque @ 4 bar	Torque @ 8 bar	Torque @ 10 bar	Torque @ 16 bar
50 (2")	F10	20	5	6x6x40	18	24	30	40
65 (2.5")	F10	20	6	6x6x40	24	31	38	50
80 (3")	F10	20	7	6x6x40	37	43	50	60
100 (4")	F10	20	9	6x6x40	48	56	68	80
125 (5")	F10	20	11	6x6x40	70	80	95	120
150 (6")	F10	20	63	6x6x40	89	98	115	140
200 (8")	F14	30	17	8x7x50	95	131	165	210
250 (10")	F14	30	21	8x7x50	145	180	220	270
300 (12")	F14	30	24	8x7x50	180	260	280	360
350 (14")	F16	40	32	12x8x50	220	300	320	460
400 (16")	F16	40	36	12x8x50	265	420	440	580
450 (18")	F16	40	40	12x8x50	320	475	480	710
500 (20")	F16	40	45	12x8x50	390	650	700	960
600 (24")	F16	40	52	12x8x50	480	780	900	1260
700 to 1600mm please consult us								

Dimensions in mm & Torque in Nm

Operating details

Pressure up to 16 bar.
Temperature -10 to +70°C

Please consult **Avarus Valves Limited** for any further assistance.