

AUTOMATIC CONTROL VALVE

Avarus Valves double chamber automatic control valves are designed to regulate pressure or flow control within a water system. By managing pressure or flow, these valves reduce the possibility of leakage and/or damage and therefore give protection to a system.

The double chamber design;

- Accurate regulation and control.
- Smooth closing and operating function.
- The opening and closing speed of the valve can be adjusted from 0.2 up to 180 seconds.
- Maintenance without being removed from the pipeline.
- Extremely low wear therefore offering long valve life.
- No lubrication required.

Multiple functions available;

- Pressure reducing and Sustaining.
- Pump controlling valves with automatic stop of the pump's operation.
- Level Control and Flow Control.
- Non-Return.
- Anti-hammer / Surge control.
- Electronically controlled.



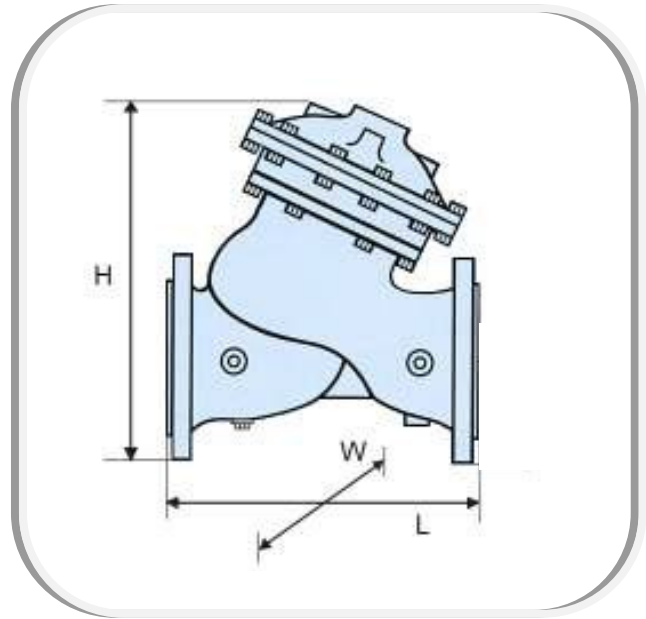
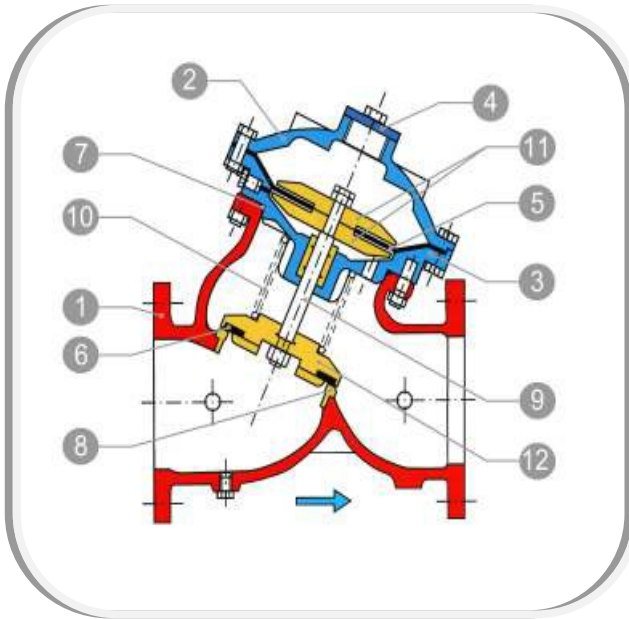
Quick-look Features

- Sizes 50mm to 450mm (larger sizes on request).
- Electrostatically applied blue epoxy WRAS approved coating.
- Stainless steel stem & spring.
- Bronze MS58 pilot.
- Nylon reinforced Neoprene diaphragm.
- PN10 & PN16 pressure ratings (higher pressures on request).

Application

- Suitable for water. Operating temperature -10 to +80°C (insulate at 0°C & below).

Data Sheet:
ACV-DC



| # | Materials of Construction | |
|--|---------------------------|-----------------------------|
| 1 | Body | Ductile Iron EN1563 |
| 2 | Cover | Ductile Iron EN1563 |
| 3 | Cover base | Ductile Iron EN1563 |
| 4 | Plug | Copper ASTM B21 |
| 5 | Diaphragm | Neoprene (nylon reinforced) |
| 6 | Sealing ring | EPDM |
| 7 | O-ring | EPDM |
| 8 | Sealing seat | Stainless steel 316 |
| 9 | Shaft | Stainless steel EN10088-3 |
| 10 | Spring | Alloy Steel 10270-2 |
| 11 | Diaphragm hold washer | Ductile Iron EN1563 |
| 12 | Sealing disc | Ductile Iron EN1563 |
| Electrostatically applied blue epoxy WRAS approved coating | | |

| Valve size (mm) | 50 | 65 | 80 | 100 | 125 | 150 | 200 | 250 | 300 | 350 | 400 | 450 |
|------------------|-----|-----|-----|-----|-----|-----|-----|-----|-----|-----|------|------|
| Face to face (L) | 205 | 205 | 260 | 325 | 325 | 420 | 500 | 605 | 725 | 725 | 1010 | 1010 |
| Height (H) | 165 | 165 | 230 | 265 | 265 | 355 | 415 | 540 | 635 | 635 | 860 | 860 |
| Width (W) | 165 | 165 | 200 | 220 | 220 | 320 | 390 | 480 | 550 | 550 | 880 | 880 |
| Weight (kg) | 12 | 15 | 25 | 42 | 45 | 84 | 156 | 230 | 400 | 410 | 826 | 836 |

Please consult **Avarus Valves Limited** if we can be of any assistance.

t: +44(0)1924 452 413
f: +44(0)1924 850 525
e: sales@avarusvalves.co.uk
Avarus Valves Limited

Unit 8 Livingstone Mills, Howard Street, Batley, West Yorkshire, WF17 6JH



www.avarusvalves.co.uk
VAT Number: GB127335621
Company Registration Number: 8044237