

TRI-FUNCTION AIR VALVE

Air release, vent & vacuum valve - model A200 – PN25

25 BAR
RATED

Valve Function

The Avarus Valves model A200 tri-function air valve has 3 functions.

Function 1: The large orifice will vent large volumes of air from the system when it is being filled.

Function 2: The large orifice will allow large volumes of air to re-enter the system when being emptied.

Function 3: When function 1 is completed, the small orifice will automatically release any accumulation of air from the pressurised system.

Application

For potable or filtered water, working pressure 0.4 to 25 bar. Operating temperature -10 to +80°C, insulate at 0°C & below.

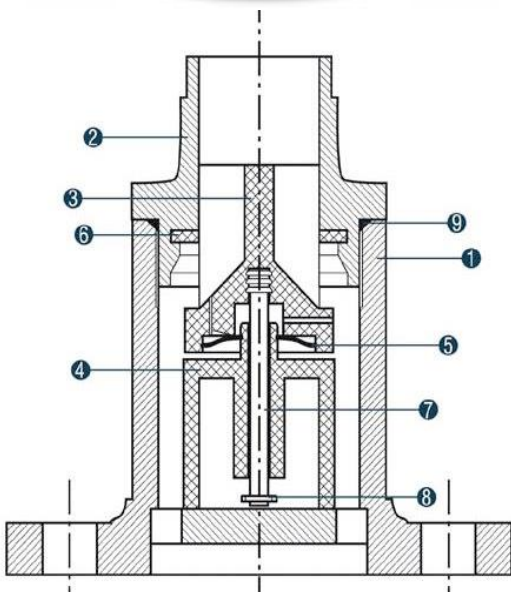
For higher pressures PN40 rated valves are available. Materials in contact with media are WRAS approved.

Standard

To BSEN1074-4:2000



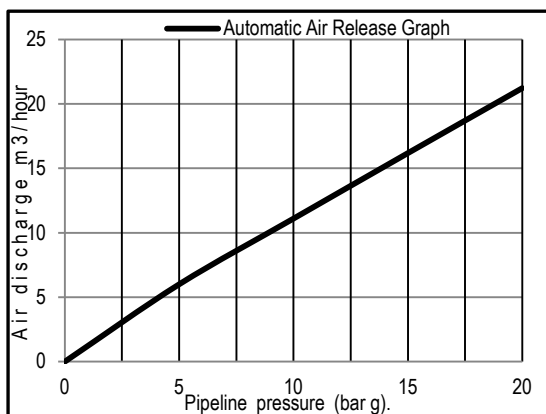
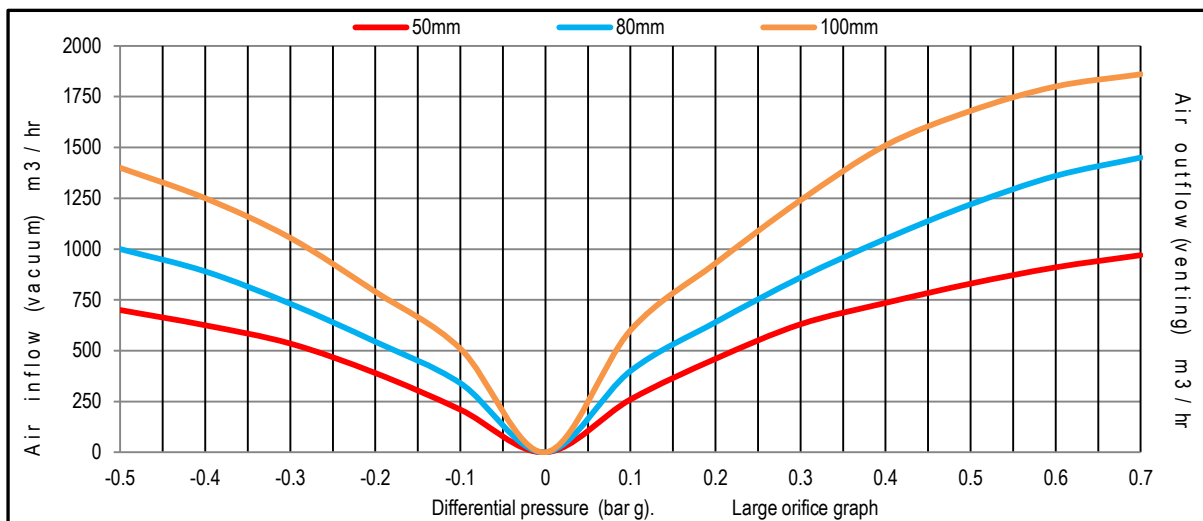
Valve size (mm) (flanged inlet)	DN50	DN80	DN100	DN150*	DN200*
Width (mm)	165	200	220	285	340
Height (mm)	160	185	190	450	600
Weight (kg)	5	9	12	22	32
Inlet connection flanged PN16 EN1092-2 (PN25 / PN40)					
* See data sheet AVPT2-A200 for 150 & 200mm sizes					



#	Materials of Construction		WRAS approval
1	Body	D.Iron DIN1693 GGG50	-
2	Cover	D.Iron DIN1693 GGG50	-
3	Small Orifice Float	Polypropylene	1209500
4	Large Orifice Float	Polypropylene	1209500
5	Small Orifice Seat	EPDM	1401524
6	Large Orifice Seat	EPDM	1401524
7	Float Guide Shaft	Stainless Steel	-
8	Guide Stop	Stainless Steel	-
9	O-ring Gasket	EPDM	1401524
	Outlet Bend – not shown	Polypropylene / PVC	-
WRAS approved Resicoat R4 ES HJ601R			1701509

Sizing

Air valves should be sized according to the pipeline diameter or air flow rate. For sizing the large orifice, the Air Valve Sizing Table can be used. If air flow figures are available, then the flow graph can be used.



Air Valve Sizing Table					
Valve size (mm)	DN 50	DN 80	DN 100	DN 150	DN 200
Recommended maximum pipeline diameter (mm)	400	600	800	1200	1800
For larger diameter pipelines consult Avarus Valves					

Options

Isolation valve – it is recommended that air valves are fitted with an isolation valve. **(Note: due to the design of the air valve, if you are fitting an isolation butterfly valve please consult us, as a spacer may be required).**

Adjustable throttle device – allows manual adjustment of the venting orifice size, can be easily done whilst installed.

Surge arrestor – automatically reduces high venting velocity, therefore decreasing the pressure surge on valve closure.

Inflow check device – allows air venting only.

Outflow check device – allows air inflow only (under vacuum).

Vented non-return device – allows restricted air venting and un-restricted air inflow.

Global Designation

Air valves types can have a different designation throughout the world, for example;

Tri-function air valve can be known as – double orifice, combination, triple function, air release/vacuum.

Bi-function air can be known as – single large orifice, vent/vacuum valve, double function.

Air release valve can be known as – single small orifice, purge, bleed, automatic.

If you have any questions please feel free to ask us!