

AUTOMATIC CONTROL VALVE

Avarus Valves single chamber automatic control valves are designed to regulate pressure or flow control within a water system. By managing pressure or flow, these valves reduce the possibility of leakage and/or damage and therefore give protection to a system.

The single chamber design;

- Suitable for non-clean fluids, i.e. final effluent or non-drinking water.
- Economic & lightweight design.
- Smooth closing and operating function.
- Maintenance without being removed from the pipeline.
- Extremely low wear therefore offering long valve life.
- No lubrication required.

Multiple functions available;

- Pressure reducing and Sustaining.
- Pump controlling valves with automatic stop of the pump's operation.
- Level Control and Flow Control.
- Non-Return.
- Anti-hammer / Surge control.
- Electronically controlled.

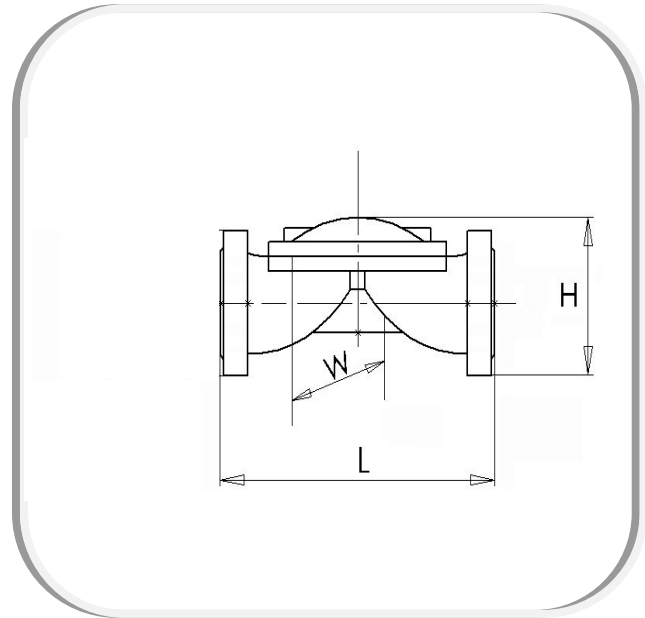
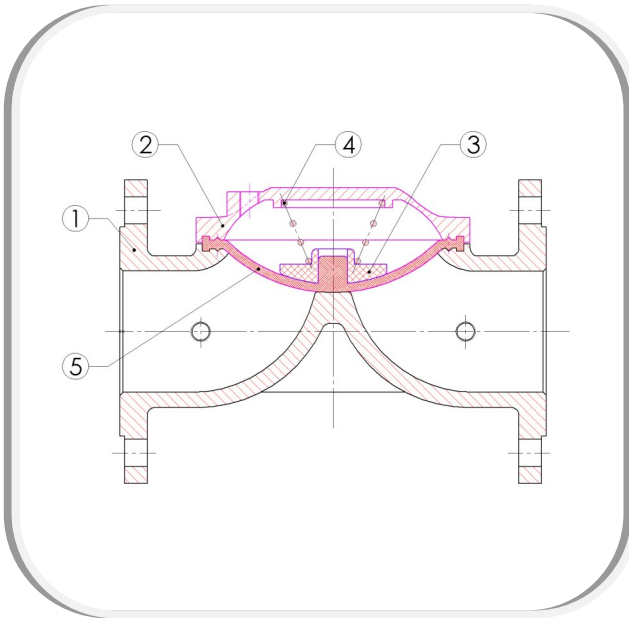


Quick-look Features

- Flanged sizes 50mm to 150mm (larger sizes on request).
- Screwed sizes 1¹/₂" , 2" & 2¹/₂"
- Electrostatically applied blue epoxy WRAS approved coating.
- Stainless steel spring.
- EPDM diaphragm.
- PN10 & PN16 pressure ratings.

Application

- Suitable for various fluids. Operating temperature -10 to +80°C (insulate at 0°C & below).



#	Materials of Construction	
1	Body	Ductile Iron EN1563
2	Cover	Ductile Iron EN1563
3	Spring seat	Polyamide
4	Spring	Stainless Steel 10270
5	Membrane	EPDM
Electrostatically applied blue epoxy WRAS approved coating		

Valve size (mm)	50	65	80	100	125	150		1 1/2"	2"	2 1/2"
Face to face (L)	220	220	280	280	400	400		220	220	220
Height (H)	175	175	260	260	300	300		99	102	107
Width (W)	110	110	190	190	260	260		110	110	110
Weight (kg)	10	12	21	22	42	44		4.5	4.6	4.7
For flanged valves								For screwed valves		

Please consult **Avarus Valves Limited** if we can be of any assistance.